

# PARTS LIST

## CAUTION

- The parts identified by the  $\triangle$  symbol are important for the safety. Whenever replacing these parts, be sure to use specified ones to secure the safety.
- The parts not indicated in this Parts List and those which are filled with lines — in the Parts No. columns will not be supplied.
- P. W. Board Ass'y will not be supplied, but those which are filled with the Parts No. in the Parts No. columns will be supplied.

## ABBREVIATIONS OF RESISTORS, CAPACITORS AND TOLERANCES

RESISTORS		CAPACITORS	
C R	Carbon Resistor	C CAP.	Ceramic Capacitor
F R	Fusible Resistor	E CAP.	Electrolytic Capacitor
P R	Plate Resistor	M CAP.	Mylar Capacitor
V R	Variable Resistor	HV CAP.	High Voltage Capacitor
HV R	High Voltage Resistor	MF CAP.	Metalized Film Capacitor
MF R	Metal Film Resistor	MM CAP.	Metalized Mylar Capacitor
MG R	Metal Glazed Resistor	MP CAP.	Metalized Polystyrol Capacitor
MP R	Metal Plate Resistor	PP CAP.	Polypropylene Capacitor
OM R	Metal Oxide Film Resistor	PS CAP.	Polystyrol Capacitor
CMF R	Coating Metal Film Resistor	TF CAP.	Thin Film Capacitor
UNF R	Non-Flammable Resistor	MPP CAP.	Metalized Polypropylene Capacitor
CH V R	Chip Variable Resistor	TAN. CAP.	Tantalum Capacitor
CH MG R	Chip Metal Glazed Resistor	CH C CAP.	Chip Ceramic Capacitor
COMP. R	Composition Resistor	BP E CAP.	Bi-Polar Electrolytic Capacitor
LPTC R	Linear Positive Temperature Coefficient Resistor	CH AL E CAP.	Chip Aluminum Electrolytic Capacitor
NETW R	Network Resistor	CH AL BP CAP.	Chip Aluminum Bi-Polar Capacitor
		CH TAN. E CAP.	Chip Tantalum Electrolytic Capacitor

TOLERANCES									
F	G	J	K	M	N	R	H	Z	P
±1%	±2%	±5%	±10%	±20%	±30%	+30%	+50%	+80%	+100%
						-10%	-10%	-20%	-0%

# CONTENTS

- P.W. BOARDS ..... 28
- EXPLODED VIEW PARTS LIST ..... 28
- EXPLODED VIEW ..... 29
- PRINTED WIRING BOARD PARTS LIST
  - MAIN PW BOARD ASS'Y ..... 30
  - CRT SOCKET PW BOARD ASS'Y ..... 34
- PACKING / PACKING PARTS LIST ..... 35
- REMOTE CONTROL UNIT PARTS LIST ..... 35

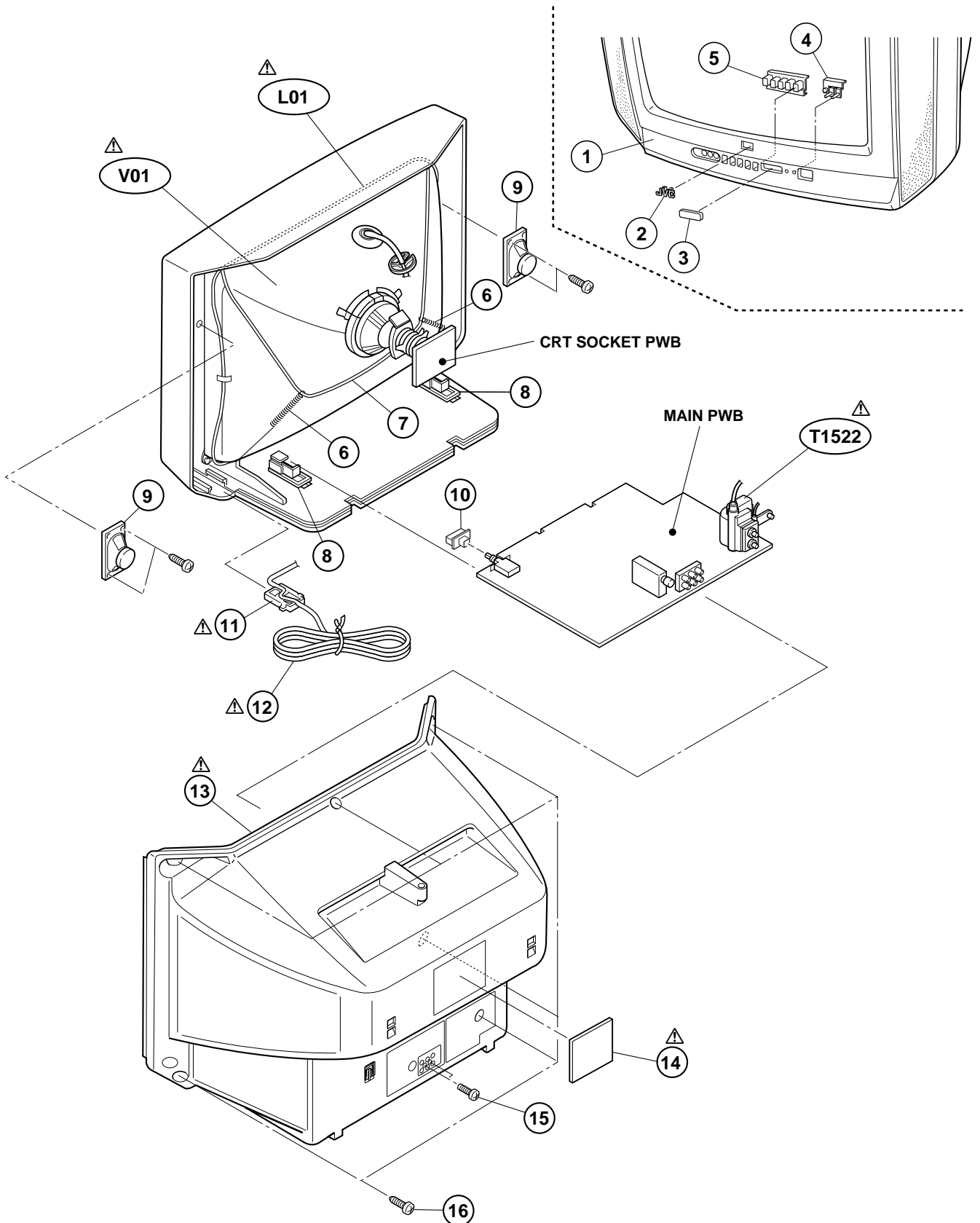
## P.W. BOARDS

P.W.B. ASS'Y	PART NO.
MAIN P.W.B.	SCL-1285A-CK
CRT SOCKET P.W.B	SCL-3012A-CK

## EXPLODED VIEW PARTS LIST

△ Ref.No.	Part No.	Part Name	Description	Local
△ V01	A48JLL91X01	PICTURE TUBE	ITC type (Includes DEF YOKE.)	
△ L01	QQW0061-001	DEG COIL		
△ T1522	QQH0070-001	H.V. TRANSF.		
1	LC10438-018A-HK	FRONT CABINET		
2	CM48006-007-C	JVC MARK		
3	LC30664-001B-H	E.E. WINDOW		
4	LC30665-001A-H	REMOCON LENS		
5	LC20318-003A-H	CONTROL KNOB		
6	A48457-4-S	SPRING	(x2)	
7	CHGB0028-0A	BRAIDED ASSY		
8	CM36623-B01-H	CHASSIS RAIL	(x2)	
9	CEBSS12D-04KJ2	SPEAKER	(x2) SP01,SP02	
10	LC30663-003A-H	POWER KNOB		
△ 11	CM47005-A01-H	CORD CLAMP		
△ 12	QMP40D0-200J5	POWER CORD	or QMP40D0-200J3	
△ 13	LC10448-001B-HK	REAR COVER		
△ 14	GG20001-012A-H	RATING LABEL		
15	QYSBSF3010Z	TAPPING SCREW	(x2)	
16	QYSBSFG4016Z	TAPPING SCREW	(x6)	

# EXPLODED VIEW



## PRINTED WIRING BOARD PARTS LIST

## MAIN P.W. BOARD ASS'Y (SCL-1285A-CK)

△ Symbol No.	Part No.	Part Name	Description	Local
<b>RESISTOR</b>				
R1002	QRE141J-221Y	C R	220Ω 1/4W J	
R1003	QRE141J-221Y	C R	220Ω 1/4W J	
R1101	QRE141J-224Y	C R	22kΩ 1/4W J	
R1102	QRE141J-153Y	C R	15kΩ 1/4W J	
R1103	QRE141J-682Y	C R	6.8kΩ 1/4W J	
R1104	QRE141J-181Y	C R	180Ω 1/4W J	
R1105	QRE141J-222Y	C R	2.2kΩ 1/4W J	
R1106	QRE141J-122Y	C R	1.2kΩ 1/4W J	
R1108	QRE141J-750Y	C R	75Ω 1/4W J	
R1110	QRE141J-272Y	C R	2.7kΩ 1/4W J	
R1111	QRE141J-101Y	C R	100Ω 1/4W J	
R1112	QRE141J-103Y	C R	10kΩ 1/4W J	
R1113	QRE141J-561Y	C R	560Ω 1/4W J	
R1114	QRE141J-561Y	C R	560Ω 1/4W J	
R1116	QRE141J-104Y	C R	100kΩ 1/4W J	
R1117	QRE141J-272Y	C R	2.7kΩ 1/4W J	
R1118	QRE141J-273Y	C R	27kΩ 1/4W J	
R1119	QRE141J-224Y	C R	22kΩ 1/4W J	
R1120	QRE141J-822Y	C R	8.2kΩ 1/4W J	
R1121	QRE141J-221Y	C R	220Ω 1/4W J	
R1123	QRE141J-151Y	C R	150Ω 1/4W J	
R1125	QRE141J-102Y	C R	1kΩ 1/4W J	
R1126	QRE141J-103Y	C R	10kΩ 1/4W J	
R1127	QRE141J-221Y	C R	220Ω 1/4W J	
R1128	QRE141J-821Y	C R	820Ω 1/4W J	
R1129	QRE141J-221Y	C R	220Ω 1/4W J	
R1130	QRE141J-222Y	C R	2.2kΩ 1/4W J	
R1131	QRE141J-271Y	C R	270Ω 1/4W J	
R1132	QRE141J-331Y	C R	330Ω 1/4W J	
R1133	QRE141J-331Y	C R	330Ω 1/4W J	
R1135	QRE141J-224Y	C R	22kΩ 1/4W J	
R1203	QRE141J-224Y	C R	22kΩ 1/4W J	
R1204	QRE141J-391Y	C R	390Ω 1/4W J	
R1205	QRE141J-391Y	C R	390Ω 1/4W J	
R1206	QRE141J-103Y	C R	10kΩ 1/4W J	
R1208	QRE141J-681Y	C R	680Ω 1/4W J	
R1209	QRE141J-821Y	C R	820Ω 1/4W J	
R1210	QRE141J-122Y	C R	1.2kΩ 1/4W J	
R1232	QRE141J-101Y	C R	100Ω 1/4W J	
R1233	QRE122J-101	C R	100Ω 1/2W J	
R1234	QRE141J-680Y	C R	68Ω 1/4W J	
R1235	QRE141J-750Y	C R	75Ω 1/4W J	
R1303	QRE141J-273Y	C R	27kΩ 1/4W J	
R1304	QRE141J-101Y	C R	100Ω 1/4W J	
R1305	QRE141J-101Y	C R	100Ω 1/4W J	
R1306	QRE141J-101Y	C R	100Ω 1/4W J	
R1307	QRE141J-102Y	C R	1kΩ 1/4W J	
R1308	QRE141J-102Y	C R	1kΩ 1/4W J	
R1309	QRE141J-102Y	C R	1kΩ 1/4W J	
R1310	QRE141J-102Y	C R	1kΩ 1/4W J	
R1311	QRE141J-333Y	C R	33kΩ 1/4W J	
R1313	QRE141J-103Y	C R	10kΩ 1/4W J	
R1314	QRE141J-101Y	C R	100Ω 1/4W J	
R1315	QRE141J-101Y	C R	100Ω 1/4W J	
R1403	QRE141J-682Y	C R	6.8kΩ 1/4W J	
R1422	QRE141J-472Y	C R	4.7kΩ 1/4W J	
R1423	QRE141J-221Y	C R	220Ω 1/4W J	
R1425	QRE141J-333Y	C R	33kΩ 1/4W J	
R1426	QRE141J-333Y	C R	33kΩ 1/4W J	
R1427	QRE141J-103Y	C R	10kΩ 1/4W J	
R1429	QRE141J-562Y	C R	5.6kΩ 1/4W J	
R1430	QRE141J-103Y	C R	10kΩ 1/4W J	
R1431	QRE141J-822Y	C R	8.2kΩ 1/4W J	
R1432	QRE121J-6R8Y	C R	6.8Ω 1/2W J	
R1433	QRE122J-4R7	C R	4.7Ω 1/2W J	
R1434	QRE141J-183Y	C R	18kΩ 1/4W J	
R1440	QRE122J-331	C R	330Ω 1/2W J	
R1441	QRE141J-682Y	C R	6.8kΩ 1/4W J	
R1442	QRE141J-822Y	C R	8.2kΩ 1/4W J	
R1443	QRK129J-1R0	C R	1.0Ω 1/2W J	
R1444	QRE122J-561	C R	560Ω 1/2W J	
R1450	QRE141J-222Y	C R	2.2kΩ 1/4W J	
R1451	QRE141J-103Y	C R	10kΩ 1/4W J	

△ Symbol No.	Part No.	Part Name	Description	Local
<b>RESISTOR</b>				
R1452	QRE141J-222Y	C R	2.2kΩ 1/4W J	
R1453	QRE141J-122Y	C R	1.2kΩ 1/4W J	
R1501	QRE141J-822Y	C R	8.2kΩ 1/4W J	
R1502	QRE141J-621Y	C R	620Ω 1/4W J	
R1504	QRE141J-103Y	C R	10kΩ 1/4W J	
R1505	QRE141J-104Y	C R	100kΩ 1/4W J	
R1506	QRG016J-121	OM R	120Ω 1W J	
R1522	QRE141J-123Y	C R	12kΩ 1/4W J	
R1523	QRE122J-222	C R	2.2kΩ 1/2W J	
R1524	QRG029J-332	OM R	3.3kΩ 2W J	
R1525	QRG029J-332	OM R	3.3kΩ 2W J	
R1526	QRE122J-220	C R	22Ω 1/2W J	
R1528	QRE122J-471	C R	470Ω 1/2W J	
R1529	QRL029J-391	OM R	390Ω 2W J	
R1582	QRE141J-103Y	C R	10kΩ 1/4W J	
R1583	QRE141J-123Y	C R	12kΩ 1/4W J	
R1591	QRE141J-273Y	C R	27kΩ 1/4W J	
R1594	QRE141J-332Y	C R	3.3kΩ 1/4W J	
R1601	QRE141J-182Y	C R	1.8kΩ 1/4W J	
R1602	QRE141J-102Y	C R	1kΩ 1/4W J	
R1603	QRE141J-103Y	C R	10kΩ 1/4W J	
R1604	QRE141J-222Y	C R	2.2kΩ 1/4W J	
R1605	QRE141J-221Y	C R	220Ω 1/4W J	
R1606	QRE141J-152Y	C R	1.5kΩ 1/4W J	
R1607	QRE141J-182Y	C R	1.8kΩ 1/4W J	
R1608	QRE141J-561Y	C R	560Ω 1/4W J	
R1610	QRE141J-223Y	C R	22kΩ 1/4W J	
R1611	QRE141J-153Y	C R	15kΩ 1/4W J	
R1612	QRE141J-221Y	C R	220Ω 1/4W J	
R1613	QRE141J-472Y	C R	4.7kΩ 1/4W J	
R1615	QRE141J-471Y	C R	470Ω 1/4W J	
R1616	QRE141J-220Y	C R	22Ω 1/4W J	
R1617	QRE141J-821Y	C R	820Ω 1/4W J	
R1621	QRE141J-393Y	C R	39kΩ 1/4W J	
R1622	QRE141J-103Y	C R	10kΩ 1/4W J	
R1623	QRE141J-181Y	C R	180Ω 1/4W J	
R1624	QRE141J-101Y	C R	100Ω 1/4W J	
R1625	QRE141J-561Y	C R	560Ω 1/4W J	
R1626	QRE141J-182Y	C R	1.8kΩ 1/4W J	
R1627	QRE141J-561Y	C R	560Ω 1/4W J	
R1628	QRE141J-561Y	C R	560Ω 1/4W J	
R1629	QRE141J-221Y	C R	220Ω 1/4W J	
R1630	QRE141J-221Y	C R	220Ω 1/4W J	
R1631	QRE141J-681Y	C R	680Ω 1/4W J	
R1632	QRE141J-681Y	C R	680Ω 1/4W J	
R1633	QRE141J-102Y	C R	1kΩ 1/4W J	
R1634	QRE141J-102Y	C R	1kΩ 1/4W J	
R1635	QRE141J-472Y	C R	4.7kΩ 1/4W J	
R1636	QRE141J-472Y	C R	4.7kΩ 1/4W J	
R1637	QRE141J-181Y	C R	180Ω 1/4W J	
R1638	QRE141J-181Y	C R	180Ω 1/4W J	
R1640	QRE141J-105Y	C R	100kΩ 1/4W J	
R1641	QRE141J-822Y	C R	8.2kΩ 1/4W J	
R1642	QRE141J-154Y	C R	150kΩ 1/4W J	
R1643	QRE141J-102Y	C R	1kΩ 1/4W J	
R1644	QRE141J-562Y	C R	5.6kΩ 1/4W J	
R1645	QRE141J-562Y	C R	5.6kΩ 1/4W J	
R1646	QRE141J-562Y	C R	5.6kΩ 1/4W J	
R1647	QRE141J-102Y	C R	1kΩ 1/4W J	
R1648	QRE141J-562Y	C R	5.6kΩ 1/4W J	
R1649	QRE141J-182Y	C R	1.8kΩ 1/4W J	
R1651	QRE141J-182Y	C R	1.8kΩ 1/4W J	
R1652	QRE141J-103Y	C R	10kΩ 1/4W J	
R1653	QRE141J-122Y	C R	1.2kΩ 1/4W J	
R1654	QRE141J-182Y	C R	1.8kΩ 1/4W J	
R1655	QRE141J-103Y	C R	10kΩ 1/4W J	
R1656	QRE141J-122Y	C R	1.2kΩ 1/4W J	
R1661	QRE141J-101Y	C R	100Ω 1/4W J	
R1664	QRK129J-4R7	C R	4.7Ω 1/2W J	
R1665	QRK129J-4R7	C R	4.7Ω 1/2W J	
R1666	QRE141J-561Y	C R	560Ω 1/4W J	
R1667	QRE141J-561Y	C R	560Ω 1/4W J	
R1668	QRE141J-181Y	C R	180Ω 1/4W J	

Symbol No.	Part No.	Part Name	Description	Local
<b>RESISTOR</b>				
R1669	QRE141J-181Y	C R	180Ω 1/4W J	
R1671	QRE141J-101Y	C R	100Ω 1/4W J	
R1672	QRE141J-101Y	C R	100Ω 1/4W J	
R1694	QRE141J-104Y	C R	100kΩ 1/4W J	
R1701	QRE141J-473Y	C R	47kΩ 1/4W J	
R1702	QRB089J-68Z	NETW. R	6.8kΩ	
R1703	QRE141J-682Y	C R	6.8kΩ 1/4W J	
R1704	QRE141J-561Y	C R	560Ω 1/4W J	
R1705	QRE141J-561Y	C R	560Ω 1/4W J	
R1706	QRE141J-821Y	C R	820Ω 1/4W J	
R1707	QRE141J-103Y	C R	10kΩ 1/4W J	
R1708	QRE141J-103Y	C R	10kΩ 1/4W J	
R1709	QRE141J-223Y	C R	22kΩ 1/4W J	
R1710	QRE141J-682Y	C R	6.8kΩ 1/4W J	
R1711	QRE141J-103Y	C R	10kΩ 1/4W J	
R1712	QRE141J-563Y	C R	56kΩ 1/4W J	
R1713	QRE141J-223Y	C R	22kΩ 1/4W J	
R1714	QRE141J-103Y	C R	10kΩ 1/4W J	
R1719	QRE141J-562Y	C R	5.6kΩ 1/4W J	
R1720	QRE141J-562Y	C R	5.6kΩ 1/4W J	
R1721	QRE141J-562Y	C R	5.6kΩ 1/4W J	
R1722	QRE141J-562Y	C R	5.6kΩ 1/4W J	
R1724	QRE141J-682Y	C R	6.8kΩ 1/4W J	
R1725	QRB089J-68Z	NETW. R	6.8kΩ	
R1733	QRE141J-221Y	C R	220Ω 1/4W J	
R1734	QRE141J-221Y	C R	220Ω 1/4W J	
R1735	QRE141J-221Y	C R	220Ω 1/4W J	
R1736	QRE141J-221Y	C R	220Ω 1/4W J	
R1737	QRE141J-124Y	C R	120kΩ 1/4W J	
R1738	QRE141J-683Y	C R	68kΩ 1/4W J	
R1739	QRE141J-682Y	C R	6.8kΩ 1/4W J	
R1740	QRE141J-221Y	C R	220Ω 1/4W J	
R1741	QRE141J-221Y	C R	220Ω 1/4W J	
R1742	QRE141J-221Y	C R	220Ω 1/4W J	
R1743	QRE141J-221Y	C R	220Ω 1/4W J	
R1744	QRE141J-221Y	C R	220Ω 1/4W J	
R1746	QRE141J-473Y	C R	47kΩ 1/4W J	
R1748	QRE141J-682Y	C R	6.8kΩ 1/4W J	
R1749	QRE141J-102Y	C R	1kΩ 1/4W J	
R1750	QRE141J-102Y	C R	1kΩ 1/4W J	
R1751	QRE141J-103Y	C R	10kΩ 1/4W J	
R1752	QRE141J-332Y	C R	3.3kΩ 1/4W J	
R1753	QRE141J-682Y	C R	6.8kΩ 1/4W J	
R1754	QRE141J-103Y	C R	10kΩ 1/4W J	
R1755	QRE141J-332Y	C R	3.3kΩ 1/4W J	
R1756	QRE141J-681Y	C R	680Ω 1/4W J	
R1757	QRE141J-681Y	C R	680Ω 1/4W J	
R1758	QRE141J-222Y	C R	2.2kΩ 1/4W J	
R1759	QRE141J-103Y	C R	10kΩ 1/4W J	
R1762	QRE141J-822Y	C R	8.2kΩ 1/4W J	
R1901	QRF104K-3R9	UNF R	3.9Ω 10W K	
R1902	QRL039J-683	OM R	68kΩ 3W J	
R1921	QRE122J-681	C R	680Ω 1/2W J	
R1922	QRX029J-2R2	MF R	2.2Ω 2W J	
R1923	QRMO59J-R22	MP R	0.22Ω 5W J	
R1926	QRE141J-152Y	C R	1.5kΩ 1/4W J	
R1928	QRL039J-473	OM R	47kΩ 3W J	
R1929	QRE122J-332	C R	3.3kΩ 1/2W J	
R1932	QRE122J-824	C R	820kΩ 1/2W J	
R1933	QRK129J-3R9	C R	3.9Ω 1/2W J	
R1934	QRE122J-333	C R	33kΩ 1/2W J	
R1935	QRE141J-152Y	C R	1.5kΩ 1/4W J	
R1941	QRE122J-152	C R	1.5kΩ 1/2W J	
R1943	QRE141J-472Y	C R	4.7kΩ 1/4W J	
R1944	QRE122J-332	C R	3.3kΩ 1/2W J	
R1946	QRE141J-153Y	C R	15kΩ 1/4W J	
R1970	QRG016J-100	OM R	10Ω 1W J	
R1971	QRE141J-223Y	C R	22kΩ 1/4W J	
R1972	QRE122J-152	C R	1.5kΩ 1/2W J	
R1973	QRL029J-390	OM R	39Ω 2W J	
R1974	QRE141J-332Y	C R	3.3kΩ 1/4W J	
R1975	QRE141J-123Y	C R	12kΩ 1/4W J	
R1977	QRG029J-183	OM R	18kΩ 2W J	
R1979	QRL039J-270	OM R	27Ω 3W J	
R1980	QRE141J-821Y	C R	820Ω 1/4W J	

Symbol No.	Part No.	Part Name	Description	Local
<b>RESISTOR</b>				
R1981	QRE141J-222Y	C R	2.2kΩ 1/4W J	
R1982	QRE141J-822Y	C R	8.2kΩ 1/4W J	
R1983	QRE141J-102Y	C R	1kΩ 1/4W J	
△ R1991	QRZ0057-825	C R	8.2MΩ 1W J	
<b>CAPACITOR</b>				
C1001	QETM1HM-475	E CAP.	4.7μF 50V M	
C1003	QETM1HM-106	E CAP.	10μF 50V M	
C1005	QFLB1HJ-104	M CAP.	0.1μF 50V J	
C1006	QCB31HK-103	C CAP.	0.01μF 50V K	
C1008	QETM1HM-106	E CAP.	10μF 50V M	
C1015	QCB31HK-222	C CAP.	2200pF 50V K	
C1101	QCB31HK-472	C CAP.	4700pF 50V K	
C1102	QCB31HK-472	C CAP.	4700pF 50V K	
C1103	QCB31HK-472	C CAP.	4700pF 50V K	
C1104	QCB31HK-472	C CAP.	4700pF 50V K	
C1105	QCB31HK-472	C CAP.	4700pF 50V K	
C1106	QCB31HK-472	C CAP.	4700pF 50V K	
C1107	QCB31HK-472	C CAP.	4700pF 50V K	
C1108	QCB31HK-103	C CAP.	0.01μF 50V K	
C1110	QCB31HK-103	C CAP.	0.01μF 50V K	
C1111	QCB31HK-103	C CAP.	0.01μF 50V K	
C1112	QFLB1HJ-104	M CAP.	0.1μF 50V J	
C1113	QCB31HK-103	C CAP.	0.01μF 50V K	
C1114	QETM1HM-474	E CAP.	0.47μF 50V M	
C1116	QETM1HM-474	E CAP.	0.47μF 50V M	
C1118	QCB31HK-103	C CAP.	0.01μF 50V K	
C1119	QETM1CM-476	E CAP.	47μF 16V M	
C1120	QETM1CM-476	E CAP.	47μF 16V M	
C1121	QCB31HK-103	C CAP.	0.01μF 50V K	
C1122	QETM1CM-476	E CAP.	47μF 16V M	
C1123	QCB31HK-103	C CAP.	0.01μF 50V K	
C1124	QETM1CM-476	E CAP.	47μF 16V M	
C1135	QCB31HK-103	C CAP.	0.01μF 50V K	
C1136	QFLB1HJ-103	M CAP.	0.01μF 50V J	
C1201	QETM1CM-107	E CAP.	100μF 16V M	
C1202	QFLB1HJ-104	M CAP.	0.1μF 50V J	
C1203	QFV81HJ-684	TF CAP.	0.68μF 50V J	
C1204	QFLB1HJ-104	M CAP.	0.1μF 50V J	
C1205	QETM1HM-475	E CAP.	4.7μF 50V M	
C1206	QCB31HK-103	C CAP.	0.01μF 50V K	
C1207	QETM1CM-107	E CAP.	100μF 16V M	
C1208	QETM1HM-106	E CAP.	10μF 50V M	
C1209	QCB31HK-103	C CAP.	0.01μF 50V K	
C1210	QETM1HM-106	E CAP.	10μF 50V M	
C1212	QETM1HM-106	E CAP.	10μF 50V M	
C1213	QENC1CM-106Z	BP E CAP.	10μF 16V M	
C1231	QETM1CM-227	E CAP.	220μF 16V M	
C1232	QETM1CM-477	E CAP.	470μF 16V M	
C1233	QETM1HM-106	E CAP.	10μF 50V M	
C1234	QENB1EM-106	BP E CAP.	10μF 25V M	
C1235	QETM1CM-476	E CAP.	47μF 16V M	
C1236	QENB1EM-106	BP E CAP.	10μF 25V M	
C1301	QFLB1HJ-823	M CAP.	0.082μF 50V J	
C1302	QCB31HK-103	C CAP.	0.01μF 50V K	
C1303	QDC31HJ-120	C CAP.	12pF 50V J	
C1304	QFLB1HJ-104	M CAP.	0.1μF 50V J	
C1305	QFLB1HJ-104	M CAP.	0.1μF 50V J	
C1306	QFLB1HJ-104	M CAP.	0.1μF 50V J	
C1307	QETM1HM-225	E CAP.	2.2μF 50V M	
C1308	QCB31HK-103	C CAP.	0.01μF 50V K	
C1309	QETM1HM-475	E CAP.	4.7μF 50V M	
C1310	QCB31HK-103	C CAP.	0.01μF 50V K	
C1311	QETM1CM-107	E CAP.	100μF 16V M	
C1312	QETM1CM-227	E CAP.	220μF 16V M	
C1316	QCS31HJ-101	C CAP.	100pF 50V K	
C1317	QCS31HJ-101	C CAP.	100pF 50V K	
C1402	QEM61HK-225Z	E CAP.	2.2μF 50V K	
C1405	QETM1HM-105	E CAP.	1μF 50V M	
C1422	QFN31HJ-182	M CAP.	1800pF 50V J	
C1423	QFLB2AJ-473	M CAP.	0.047μF 100V J	
C1427	QETM1VM-107	E CAP.	100μF 35V M	
C1428	QETM1VM-107	E CAP.	100μF 35V M	
C1430	QFLB2AJ-103	M CAP.	0.01μF 100V J	

Symbol No.	Part No.	Part Name	Description	Local
<b>CAPACITOR</b>				
C1433	QETM1HM-475	E CAP.	4.7μF	50V M
C1435	QETM1EM-108	E CAP.	1000μF	25V M
C1436	QFV81HJ-334	TF CAP.	0.33μF	50V J
C1437	QFN31HJ-102	M CAP.	1000pF	50V J
C1450	QETM1CM-107	E CAP.	100μF	16V M
C1501	QCB31HK-103	C CAP.	0.01μF	50V K
C1502	QETM1HM-105	E CAP.	1μF	50V M
C1503	QETM1CM-227	E CAP.	220μF	16V M
C1504	QCB31HK-103	C CAP.	0.01μF	50V K
C1505	QCB31HK-103	C CAP.	0.01μF	50V K
C1506	QCB31HK-103	C CAP.	0.01μF	50V K
C1507	QFLB1HJ-103	M CAP.	0.01μF	50V J
C1508	QETM1CM-476	E CAP.	47μF	16V M
C1509	QCB31HK-103	C CAP.	0.01μF	50V K
C1510	QCB31HK-103	C CAP.	0.01μF	50V K
C1521	QCB32HK-151	C CAP.	150pF	500V K
C1522	QCB32HK-102	C CAP.	1000pF	500V K
C1523	QEHR2CM-105Z	E CAP.	1μF	160V M
C1524	QFZ0198-103	MPP CAP.	0.01μF	1.5kVH ±3%
C1527	QFZ0119-474	MPP CAP.	0.47μF	200V ±3%
C1530	QCB32HK-561	C CAP.	560pF	500V K
C1551	QCB32HK-152	C CAP.	1500pF	500V K
C1552	QETM1VM-108	E CAP.	1000μF	35V M
C1557	QETM2EM-225	E CAP.	2.2μF	250V M
C1571	QEHQ2CM-476	E CAP.	47μF	160V M
C1581	QFLB1HJ-104	M CAP.	0.1μF	50V J
C1591	QETM1AM-227	E CAP.	220μF	10V M
C1601	QETM1HM-106	E CAP.	10μF	50V M
C1602	QFLB1HJ-473	M CAP.	0.047μF	50V J
C1603	QDC31HJ-470	C CAP.	47pF	50V J
C1604	QDC31HJ-470	C CAP.	47pF	50V J
C1606	QCB31HK-103	C CAP.	0.01μF	50V K
C1607	QETM1CM-107	E CAP.	100μF	16V M
C1608	QCB31HK-103	C CAP.	0.01μF	50V K
C1610	QCB31HK-103	C CAP.	0.01μF	50V K
C1611	QCB31HK-103	C CAP.	0.01μF	50V K
C1612	QCB31HK-103	C CAP.	0.01μF	50V K
C1613	QCB31HK-103	C CAP.	0.01μF	50V K
C1631	QETM1HM-106	E CAP.	10μF	50V M
C1632	QETM1HM-106	E CAP.	10μF	50V M
C1633	QETM1HM-106	E CAP.	10μF	50V M
C1634	QETM1HM-106	E CAP.	10μF	50V M
C1637	QENB1EM-226	BP E CAP.	22μF	25V M
C1638	QETM1AM-107	E CAP.	100μF	10V M
C1639	QFLB1HJ-563	M CAP.	0.056μF	50V J
C1640	QFLB1HJ-393	M CAP.	0.039μF	50V J
C1641	QETM1HM-106	E CAP.	10μF	50V M
C1642	QETM1HM-106	E CAP.	10μF	50V M
C1643	QETM1HM-106	E CAP.	10μF	50V M
C1644	QENB1EM-226	BP E CAP.	22μF	25V M
C1645	QCB31HK-103	C CAP.	0.01μF	50V K
C1646	QFLB1HJ-273	M CAP.	0.027μF	50V J
C1647	QETM1HM-105	E CAP.	1μF	50V M
C1648	QENB1EM-226	BP E CAP.	22μF	25V M
C1650	QETM1HM-106	E CAP.	10μF	50V M
C1651	QETM1HM-226	E CAP.	22μF	50V M
C1652	QETM1CM-476	E CAP.	47μF	16V M
C1653	QCB31HK-272	C CAP.	2700pF	50V K
C1654	QCB31HK-272	C CAP.	2700pF	50V K
C1655	QETM1HM-225	E CAP.	2.2μF	50V M
C1656	QETM1HM-106	E CAP.	10μF	50V M
C1657	QETM1HM-106	E CAP.	10μF	50V M
C1658	QFLB1HJ-104	M CAP.	0.1μF	50V J
C1659	QFLB1HJ-104	M CAP.	0.1μF	50V J
C1660	QFLB1HJ-104	M CAP.	0.1μF	50V J
C1661	QFLB1HJ-104	M CAP.	0.1μF	50V J
C1662	QETM1HM-225	E CAP.	2.2μF	50V M
C1663	QFLB1HJ-104	M CAP.	0.1μF	50V J
C1664	QFLB1HJ-104	M CAP.	0.1μF	50V J
C1665	QETM1HM-106	E CAP.	10μF	50V M
C1670	QCS31HJ-221	C CAP.	220pF	50V J
C1671	QENC1CM-106Z	BP E CAP.	10μF	16V M
C1672	QCS31HJ-221	C CAP.	220pF	50V J
C1673	QENC1CM-106Z	BP E CAP.	10μF	16V M
C1674	QETM1EM-227	E CAP.	220μF	25V M

Symbol No.	Part No.	Part Name	Description	Local
<b>CAPACITOR</b>				
C1675	QETM1CM-476	E CAP.	47μF	16V M
C1676	QETM1CM-476	E CAP.	47μF	16V M
C1677	QETM1EM-107	E CAP.	100μF	25V M
C1678	QETM1EM-107	E CAP.	100μF	25V M
C1679	QETM1EM-108	E CAP.	1000μF	25V M
C1680	QETM1EM-108	E CAP.	1000μF	25V M
C1681	QFLB1HJ-104	M CAP.	0.1μF	50V J
C1682	QFLB1HJ-104	M CAP.	0.1μF	50V J
C1684	QETM1CM-107	E CAP.	100μF	16V M
C1685	QFLB1HJ-104	M CAP.	0.1μF	50V J
C1686	QFLB1HJ-104	M CAP.	0.1μF	50V J
C1701	QETM1CM-107	E CAP.	100μF	16V M
C1702	QFLB1HJ-104	M CAP.	0.1μF	50V J
C1703	QETM1CM-476	E CAP.	47μF	16V M
C1704	QFN31HJ-102	M CAP.	1000pF	50V J
C1705	QETM1CM-107	E CAP.	100μF	16V M
C1707	QFN31HJ-272	M CAP.	2700pF	50V J
C1708	QFN31HJ-222	M CAP.	2200pF	50V J
C1709	QCS31HJ-560	C CAP.	56pF	50V J
C1710	QCB31HK-103	C CAP.	0.01μF	50V K
C1711	QFLB1HJ-104	M CAP.	0.1μF	50V J
C1712	QETM1HM-106	E CAP.	10μF	50V M
C1713	QCS31HJ-181	C CAP.	180pF	50V J
C1714	QFLB1HJ-103	M CAP.	0.01μF	50V J
C1715	QFLB1HJ-473	M CAP.	0.047μF	50V J
C1721	QETM1HM-106	E CAP.	10μF	50V M
C1723	QETM1HM-107	E CAP.	100μF	50V M
C1724	QCS31HJ-101	C CAP.	100pF	50V K
C1725	QCS31HJ-181	C CAP.	180pF	50V J
C1730	QFLB1HJ-103	M CAP.	0.01μF	50V J
C1751	QETM1CM-476	E CAP.	47μF	16V M
C1752	QETM1HM-106	E CAP.	10μF	50V M
△ C1902	QFZ9040-104	MF CAP.	0.1μF	AC275V M
△ C1903	QFZ9040-473	MF CAP.	0.047μF	AC275V M
C1904	QCZ9078-102	C CAP.	1000pF	AC250V M
C1905	QCZ9078-102	C CAP.	1000pF	AC250V M
C1906	QCZ9078-102	C CAP.	1000pF	AC250V M
C1907	QCZ9078-102	C CAP.	1000pF	AC250V M
C1909	QEZO199-227	E CAP.	220pF	400V M
C1921	QCZO325-391	C CAP.	390pF	2kV K
C1922	QCB31HK-471	C CAP.	470pF	50V K
C1924	QETM1VM-107	E CAP.	100μF	35V M
C1926	QFN31HJ-222	M CAP.	2200pF	50V J
C1929	QCZO334-103	C CAP.	0.01μF	500V P
C1930	QCZO122-221	C CAP.	220pF	2kV K
C1931	QCZO325-271	C CAP.	270pF	2kV K
C1941	QCZO122-561	C CAP.	560pF	2kV K
C1942	QEZO203-107	E CAP.	100μF	160V M
C1944	QCB31HK-471	C CAP.	470pF	50V K
C1945	QETM1EM-108	E CAP.	1000μF	25V M
C1946	QETM1EM-227	E CAP.	220μF	25V M
C1947	QCB32HK-561	C CAP.	560pF	500V K
C1948	QETM1VM-108	E CAP.	1000μF	35V M
C1949	QCS31HJ-391	C CAP.	390pF	50V J
C1950	QFLB1HJ-104	M CAP.	0.1μF	50V J
C1954	QCB31HK-103	C CAP.	0.01μF	50V K
C1971	QETM1HM-106	E CAP.	10μF	50V M
C1972	QETM1EM-108	E CAP.	1000μF	25V M
C1974	QETM1EM-108	E CAP.	1000μF	25V M
C1975	QETM1EM-107	E CAP.	100μF	25V M
C1976	QETM1CM-107	E CAP.	100μF	16V M
C1977	QETM1CM-107	E CAP.	100μF	16V M
C1978	QETM1AM-107	E CAP.	100μF	10V M
△ C1991	QCZ9079-471	C CAP.	470pF	AC250V K
△ C1992	QCZ9079-471	C CAP.	470pF	AC250V K
△ C1993	QCZ9079-222	C CAP.	2200pF	AC250V M

**TRANSFORMER**

T1101	CEL001-303	CW TRANSF.
T1521	CE42034-001	HOR DRIVE TRANSF.
△ T1522	QHQ0070-001	H.V. TRANSF.
△ T1921	CETS128-001JM	SW.TRANSF.

Symbol No.	Part No.	Part Name	Description	Local
<b>COIL</b>				
L1101	QQL05BK-2R2	COIL	2.2μH	K
L1104	QQL242K-150	COIL	15μH	K
L1105	QQL242K-8R2	COIL	8.2μH	K
L1106	QQL242K-100	COIL	10μH	K
L1301	QQL242K-470	COIL	47μH	K
L1302	QQL242K-470	COIL	47μH	K
L1303	QQL242K-4R7	COIL	4.7μH	K
L1522	CE41210-00B	LIN COIL		
L1551	QQLZ018-930	HEATER CHOKE		
L1552	QQL231J-560Y	COIL	56μH	J
L1601	QQL242K-120	COIL	12μH	K
L1701	QQL242K-5R6	COIL	5.6μH	K
L1941	QQL42AK-820	CHOKE COIL	82μH	K
L1942	QQL42AK-820	CHOKE COIL	82μH	K
L1943	QQL26AM-2R2Z	CHOKE COIL	2.2μH	M
<b>DIODE</b>				
D1001	MTZJ33A-T2	ZENER DIODE		
D1101	1SS85-T2	SI DIODE		
D1102	1SS85-T2	SI DIODE		
D1104	1SS133-T2	SI DIODE		
D1203	1SS133-T2	SI DIODE		
D1231	MTZJ13B-T2	ZENER DIODE		
D1232	MTZJ13B-T2	ZENER DIODE		
D1421	1SS133-T2	SI DIODE		
D1422	MTZJ36A-T2	ZENER DIODE		
D1423	1SR124-400A-T2	SI DIODE		
D1424	MTZJ36A-T2	ZENER DIODE		
D1425	1SS133-T2	SI DIODE		
D1501	MTZJ9.1B-T2	ZENER DIODE		
D1502	MTZJ5.1B-T2	ZENER DIODE		
D1551	RGP10J-5025-T3	SI DIODE		
D1553	RH15-LFA1	SI DIODE		
D1582	RGP10J-5025-T3	SI DIODE		
D1601	MTZJ6.8A-T2	ZENER DIODE		
D1602	MTZJ6.2B-T2	ZENER DIODE		
D1631	MTZJ13B-T2	ZENER DIODE		
D1632	MTZJ13B-T2	ZENER DIODE		
D1701	1SS133-T2	SI DIODE		
D1702	1SS133-T2	SI DIODE		
D1703	1SS133-T2	SI DIODE		
D1705	1SS133-T2	SI DIODE		
D1706	MTZJ8.2B-T2	ZENER DIODE		
D1707	MTZJ8.2B-T2	ZENER DIODE		
D1708	MTZJ8.2B-T2	ZENER DIODE		
D1709	MTZJ8.2B-T2	ZENER DIODE		
D1710	1SS133-T2	SI DIODE		
D1739	MTZJ8.2B-T2	ZENER DIODE		
D1751	SLR-342VR-T16	LED (RED)		
D1752	SLR-342DU-T16	LED (ORG)		
D1753	1SS133-T2	SI DIODE		
D1754	P1241-04	CDS		
D1758	1SS133-T2	SI DIODE		
D1901	D3SBA60	BRIDGE DIODE		
D1921	1SR124-400A-T2	SI DIODE		
D1922	1SS133-T2	SI DIODE		
D1924	1SS133-T2	SI DIODE		
D1926	EG1A-T3	SI DIODE		
D1927	MTZJ6.8A-T2	ZENER DIODE		
D1929	MTZJ15A-T2	ZENER DIODE		
D1941	RU3AM-LFC4	SI DIODE		
D1942	ERC30-02L38	SI DIODE		
D1943	ERC30-02L38	SI DIODE		
D1945	MTZJ5.6A-T2	ZENER DIODE		
D1971	1SR124-400A-T2	SI DIODE		
D1981	1SS133-T2	SI DIODE		
D1982	1SS133-T2	SI DIODE		
D1983	1SS133-T2	SI DIODE		
<b>TRANSISTOR</b>				
Q1101	2SC5083/L-P/-T	SI TRANSISTOR		
Q1102	DTC124ESA-T	DIGI TRANSISTOR		
Q1103	2SC1740S/QR/-T	SI TRANSISTOR		

Symbol No.	Part No.	Part Name	Description	Local
<b>TRANSISTOR</b>				
Q1104	2SA933AS/QR/-T	SI TRANSISTOR		
Q1105	DTC124ESA-T	DIGI TRANSISTOR		
Q1106	DTC124ESA-T	DIGI TRANSISTOR		
Q1107	2SC1740S/QR/-T	SI TRANSISTOR		
Q1108	2SA933AS/QR/-T	SI TRANSISTOR		
Q1109	2SA933AS/QR/-T	SI TRANSISTOR		
Q1110	DTC124ESA-T	DIGI TRANSISTOR		
Q1111	DTC124ESA-T	DIGI TRANSISTOR		
Q1202	2SA933AS/QR/-T	SI TRANSISTOR		
Q1231	2SC1740S/QR/-T	SI TRANSISTOR		
Q1422	2SC1740S/QR/-T	SI TRANSISTOR		
Q1423	2SC1740S/QR/-T	SI TRANSISTOR		
Q1424	2SC1740S/QR/-T	SI TRANSISTOR		
Q1425	2SA933AS/QR/-T	SI TRANSISTOR		
Q1521	BSN304-T	MOS FET		
Q1522	2SD2499-LB	POWER TRANSISTOR		H. OUT
Q1523	2SC1815/YG/-T	SI TRANSISTOR		
Q1601	2SC1740S/QR/-T	SI TRANSISTOR		
Q1602	2SC1740S/QR/-T	SI TRANSISTOR		
Q1603	DTC124ESA-T	DIGI TRANSISTOR		
Q1604	2SC1740S/QR/-T	SI TRANSISTOR		
Q1605	DTC124ESA-T	DIGI TRANSISTOR		
Q1608	2SC1740S/QR/-T	SI TRANSISTOR		
Q1631	2SC1740S/QR/-T	SI TRANSISTOR		
Q1632	2SC1740S/QR/-T	SI TRANSISTOR		
Q1653	DTC363TS-T	DIGI TRANSISTOR		
Q1681	DTC323TS-T	DIGI TRANSISTOR		
Q1682	2SA933AS/QR/-T	SI TRANSISTOR		
Q1683	DTC323TS-T	DIGI TRANSISTOR		
Q1701	2SA933AS/QR/-T	SI TRANSISTOR		
Q1702	2SC1740S/QR/-T	SI TRANSISTOR		
Q1703	2SC1740S/QR/-T	SI TRANSISTOR		
Q1751	DTA124ESA-T	DIGI TRANSISTOR		
Q1752	2SC1740S/QR/-T	SI TRANSISTOR		
Q1941	2SC1740S/QR/-T	SI TRANSISTOR		
Q1942	DTC144GSA-T	DIGI TRANSISTOR		
Q1971	2SA966/OY/-T	SI TRANSISTOR		
Q1972	DTC144GSA-T	DIGI TRANSISTOR		
Q1981	2SA933AS/QR/-T	SI TRANSISTOR		
<b>IC</b>				
IC1001	TA78L005AP-T	IC		
IC1101	M52342SP	IC		
IC1201	TB1226GEN	IC		
IC1202	LA7222	IC		
IC1421	LA7840	IC		
IC1601	AN7395K	IC		
IC1602	TDA7315	IC		
IC1651	LA4446	IC		
IC1701	M37212M8-060SP	IC (MICROCOMPUTER)		
IC1702	AT24C08-21F8VT	IC (MEMORY)		(Service)
IC1703	L78LR05E-MA	IC (5V REG/RESET)		
IC1751	PIC-28043SR	IR DETECT UNIT		
IC1921	STR-F6654	SW REG IC		
IC1941	S1854A	IC		
IC1971	LM2940CT-12	IC (12V REG)		
IC1972	AN7809F	IC (9V REG)		
IC1973	AN7805F	IC (5V REG)		
<b>OTHERS</b>				
	LC30114-001C-H	LED HOLDER		
	CM35921-005-H	CDS HOLDER		
CF1103	QAX0339-001	CERAMIC TRAP		
CF1104	TPS5.5MW	C TRAP		
CF1105	TPS6.5MB	CERAMIC TRAP		
CF1106	TPSH6.0MB	CERAMIC TRAP		
CF1601	SFSH4.5MCB	CERAMIC FILTER		
CF1604	QAX0336-001	CERAMIC FILTER		
CF1608	QAX0338-001	CERAMIC FILTER		
△ CP1551	ICP-N50	IC PROTECTOR		
△ CP1942	ICP-N75	IC PROTECTOR		
△ CP1943	ICP-N75	IC PROTECTOR		

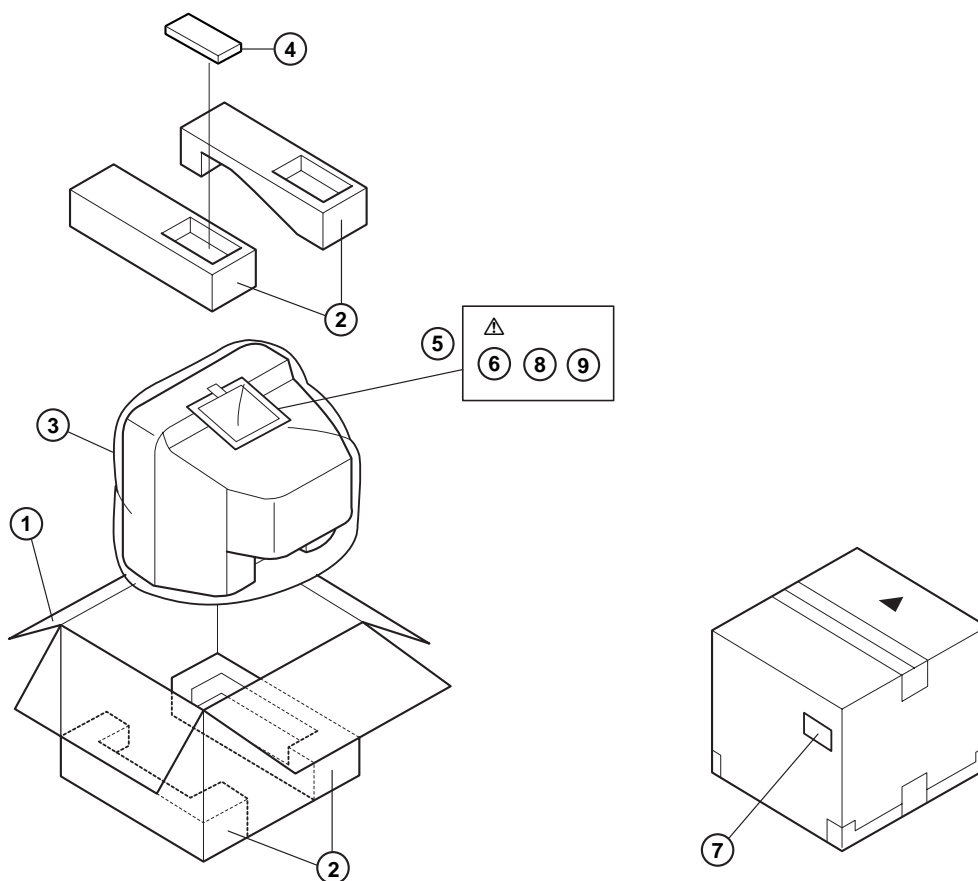
Symbol No.	Part No.	Part Name	Description	Local
<b>OTHERS</b>				
△ CP1944	ICP-N5	IC PROTECTOR		
EF1201	CE42142-222Z	EMI FILTER		
△ F1901	QMF51E2-3R15J4	FUSE	3.15A	
FC1901	CEMG002-001Z	FUSE CLIP (x2)		
△ FR1001	QRZ9017-100	F R	10Ω 1/4W J	
△ FR1551	QRZ9017-4R7	F R	4.7Ω 1/4W J	
△ FR1552	QRZ9021-1R0	F R	1.0Ω 1W J	
△ FR1554	QRZ9017-150	F R	15Ω 1/4W J	
J1001	CEMN075-001	PIN JACK		
J1002	CEMN065-001	PIN JACK		
J1003	CEMN065-002	PIN JACK		
J1004	CEMN072-003	PIN JACK		
J1005	CEMN076-001	PIN JACK		
K1001	CE41433-001	BEADS CORE		
K1201	CE41433-001	BEADS CORE		
K1301	CE41433-001	BEADS CORE		
K1422	CE41433-001	BEADS CORE		
K1701	CE41433-001	BEADS CORE		
K1702	CE41433-001	BEADS CORE		
K1703	CE41433-001	BEADS CORE		
K1704	CE41433-001	BEADS CORE		
K1705	CE41433-001	BEADS CORE		
K1706	CE41433-001	BEADS CORE		
K1707	CE41433-001	BEADS CORE		
K1708	CE41433-001	BEADS CORE		
K1921	CE41433-001	BEADS CORE		
K1922	CE42050-001	CORE		
K1923	CE41433-001	BEADS CORE		
K1941	CE42050-001	CORE		
K1942	CE41433-001	BEADS CORE		
K1943	CE42050-001	CORE		
△ LF1902	QQR0527-002	LINE FILTER		
△ PC1921	PC123F2	PHOTO COUPLER		
S1751	QSW0619-003Z	PUSH SWITCH	MENU	
S1752	QSW0619-003Z	PUSH SWITCH	CH-	
S1753	QSW0619-003Z	PUSH SWITCH	CH+	
S1754	QSW0619-003Z	PUSH SWITCH	VOL-	
S1755	QSW0619-003Z	PUSH SWITCH	VOL+	
△ S1901	QSP4K21-C01	PUSH SWITCH	POWER	
SF1101	QAX0323-001	SAW FILTER		
SF1102	QAX0325-001	SAW FILTER		
TH1901	QAD0101-9R0	P THERMISTOR		
TU1001	QAU0186-001	AMP TUNER		
△ VA1901	ERZV10V621CS	VARISTOR		
X1301	QAX0354-001	XTAL		
X1701	CST8.00MTW	C RESONATOR		

**CRT SOCKET P.W. BOARD ASS'Y (SCL-3012A-CK)**

Symbol No.	Part No.	Part Name	Description	Local
<b>RESISTOR</b>				
R3351	QRE141J-151Y	C R	150Ω 1/4W J	
R3352	QRE141J-151Y	C R	150Ω 1/4W J	
R3353	QRE141J-151Y	C R	150Ω 1/4W J	
R3354	QRL029J-123	OM R	12kΩ 2W J	
R3355	QRE141J-222Y	C R	2.2kΩ 1/4W J	
R3356	QRE141J-331Y	C R	330Ω 1/4W J	
R3357	QRL029J-123	OM R	12kΩ 2W J	
R3358	QRE141J-222Y	C R	2.2kΩ 1/4W J	
R3359	QRE141J-331Y	C R	330Ω 1/4W J	
R3360	QRL029J-123	OM R	12kΩ 2W J	
R3361	QRE141J-222Y	C R	2.2kΩ 1/4W J	
R3362	QRE141J-331Y	C R	330Ω 1/4W J	
R3363	QRZ0111-152	C R	1.5kΩ 1/2W K	
R3364	QRE141J-562Y	C R	5.6kΩ 1/4W J	
R3365	QRE141J-101Y	C R	100Ω 1/4W J	
R3366	QRZ0111-152	C R	1.5kΩ 1/2W K	
R3367	QRE141J-101Y	C R	100Ω 1/4W J	
R3368	QRZ0111-152	C R	1.5kΩ 1/2W K	
R3369	QRE141J-101Y	C R	100Ω 1/4W J	
R3370	QRE122J-104	C R	100kΩ 1/2W J	
R3372	QRE141J-103Y	C R	10kΩ 1/4W J	
R3373	QRE122J-104	C R	100kΩ 1/2W J	
<b>CAPACITOR</b>				
C3351	QETM1CM-107	E CAP.	100μF 16V M	
C3353	QCB31HK-331	C CAP.	330pF 50V K	
C3355	QCB31HK-331	C CAP.	330pF 50V K	
C3357	QCB31HK-391	C CAP.	390pF 50V K	
C3359	QFZ0097-223	MM CAP.	0.022μF 1250V K	
C3360	QFLB1HJ-103	M CAP.	0.01μF 50V J	
<b>COIL</b>				
L3351	QQL242K-820	COIL	82μH K	
L3352	QQL242K-820	COIL	82μH K	
L3353	QQL242K-820	COIL	82μH K	
<b>TRANSISTOR</b>				
Q3351	25C3620	SI TRANSISTOR		
Q3352	25C3620	SI TRANSISTOR		
Q3353	25C3620	SI TRANSISTOR		
<b>OTHERS</b>				
△ SK3351	CE42554-001	CRT SOCKET		



# PACKING



## PACKING PARTS LIST

△ Ref.No.	Part No.	Part Name	Description	Local
1	GG10007-012A	PACKING CASE		
2	LC10469-004A	CUSHION ASSY	4 pcs. in 1 set	
3	CP30967-003-H	POLY BAG		
4	RM-C218-1C	REMOCON UNIT		
5	CP30966-001-H	POLY BAG		
△ 6	LCT0766-001A	INST BOOK		
7	CM43936-001	POS/SERIAL LABEL	(x2)	
8	CEAB005-00AJ1	MATCHING BOX		
9	CM35847-00B-H	ROD ANTENNA ASSY		

## REMOTE CONTROL UNIT PARTS LIST (RM-C218-1C)

△ Ref.No.	Part No.	Part Name	Description	Local
	3139 224 20073	BATTERY COVER		